

## PX-series digital temperature controller

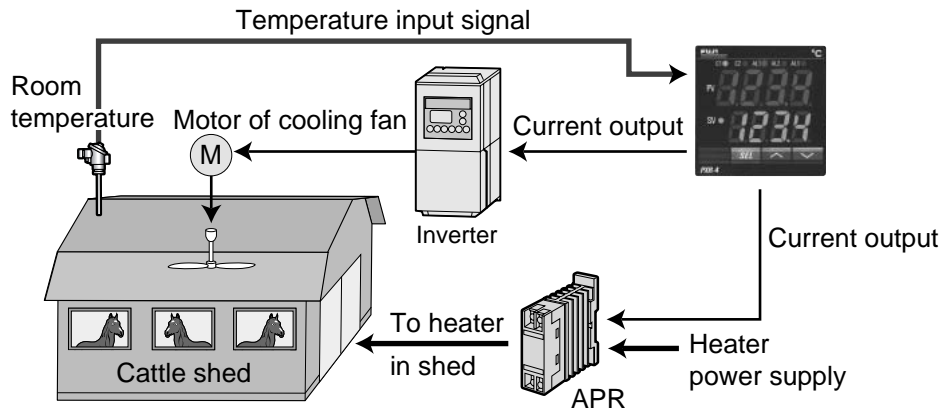
# Example of Applications and Parameter Functions



# I. Example of Applications

## 1 Controlling both heating and cooling with a single controller

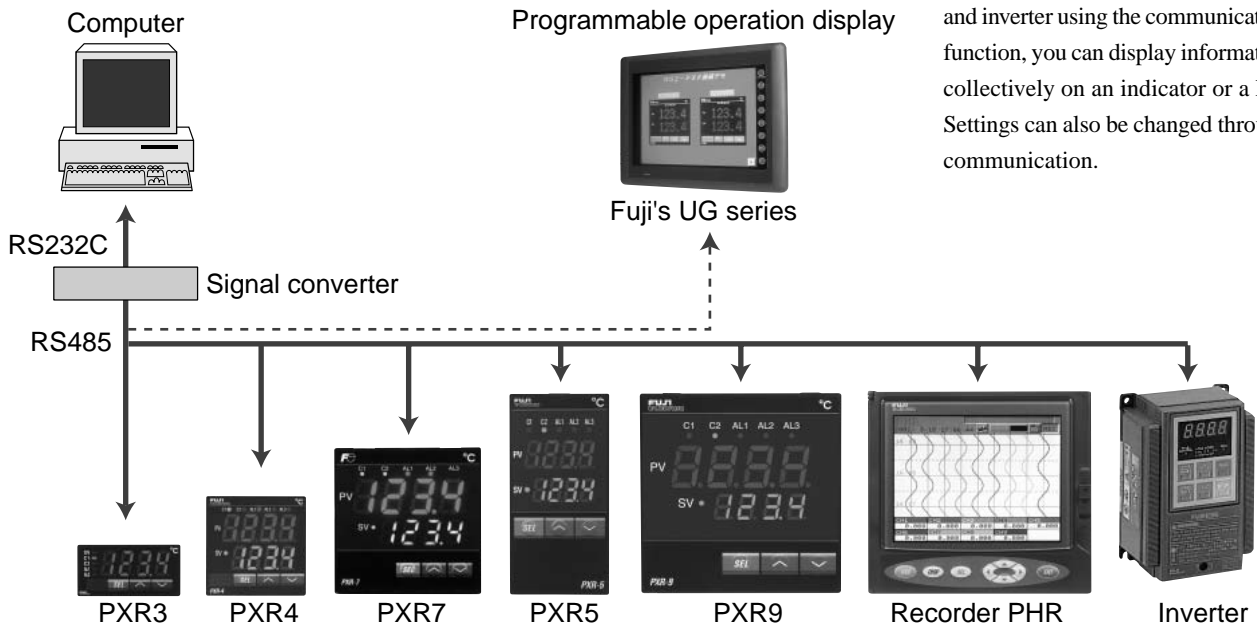
- Only one controller is required to keep the temperature of a cattle shed constant all year round, by cooling down the hot summer heat with a fan and warming the cold winter air with a heater.



Parameter	Description	Parameter setting by type		
—	Specifies the type of dual control (control outputs 1 and 2).	PXR	PXG	PXH
		<input type="radio"/>	<input type="radio"/>	<input type="radio"/>

## 2 Collectively displaying information accumulated in multiple controllers using communication function

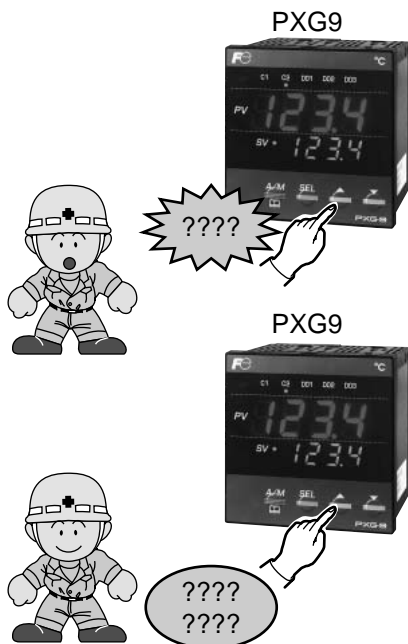
- By connecting a controller, recorder, and inverter using the communication function, you can display information collectively on an indicator or a PC. Settings can also be changed through communication.



Parameter	Description	Parameter setting by type		
—	Selects the type of communication function (if provided).	PXR	PXG	PXH
		<input type="radio"/>	<input type="radio"/>	<input type="radio"/>

### 3

## Preventing workers at site from changing the settings carelessly



- Carelessly touching a button on the front face of the temperature controller may change the settings, thus disabling proper control.
- The key lock function and password function can be used to prevent such operating errors.

- Key lock: Prohibits the setting of all the parameters.  
<LOC> : Prohibits the setting of parameters except for SV.

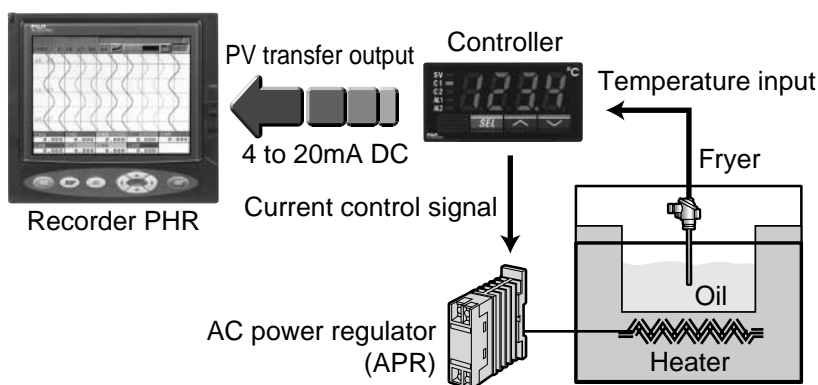
- Password: Use the password function to prohibit parameter setting. There are three levels of prohibition.

Parameter	Description	Parameter setting by type		
		PXR	PXG	PXH
LOC	Specifies whether the parameter settings are allowed to be changed or not.	<input type="radio"/>	<input type="radio"/>	<input type="radio"/>

### 4

## Recording the temperature data obtained

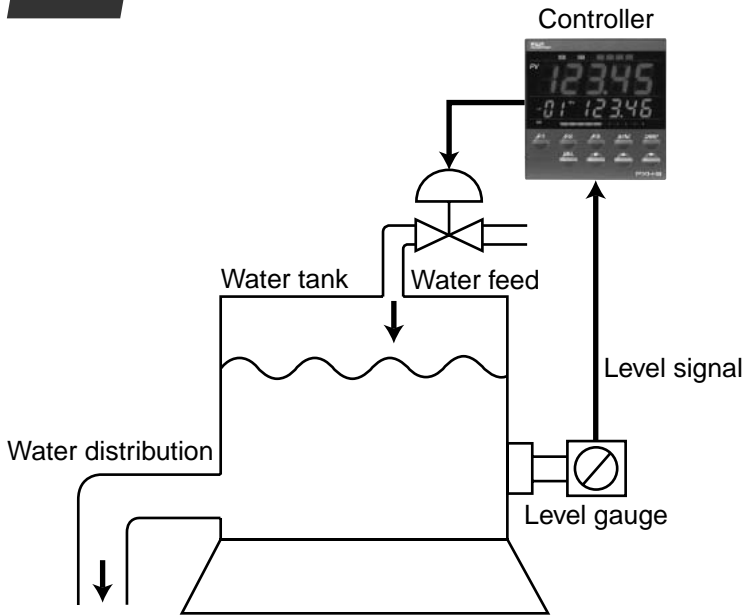
- The temperature of oil in the fryer can be captured into the recorder and the data recorded.



Parameter	Description	Parameter setting by type		
		PXR	PXG	PXH
AO-T	Sets the type of transfer output.	<input type="radio"/>	<input type="radio"/>	<input type="radio"/>

# 5

## Preventing measurement fluctuations



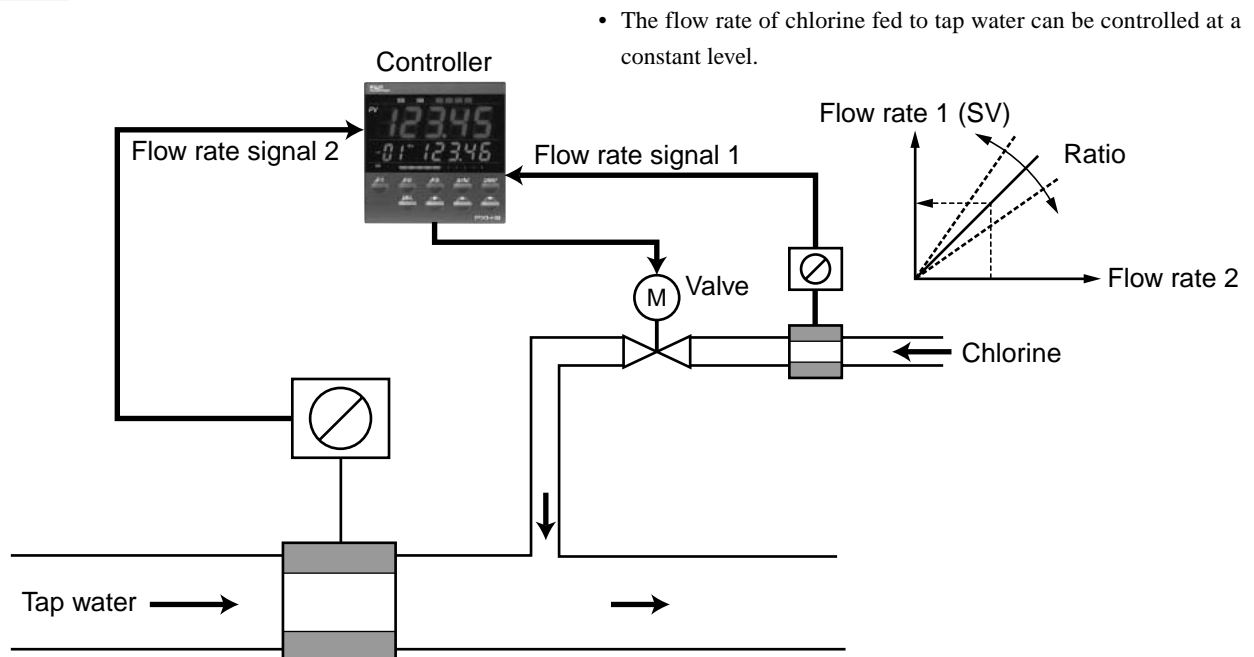
- Sudden changes in incoming signals to a level gauge of a water tank can be smoothed.
- The water feed valve can be controlled automatically according to the water level in the tank measured with a level gauge.
- The filter function reduces measurement fluctuations caused by waves on the water surface.

Parameter	Description	Parameter setting by type		
		PXR	PXG	PXH
P-DF	Sets the constant of the input filter.	<input type="radio"/>	<input type="radio"/>	<input type="radio"/>

Note: Select PXH for controlling high flow rate and pressure.

# 6

## Ratio control



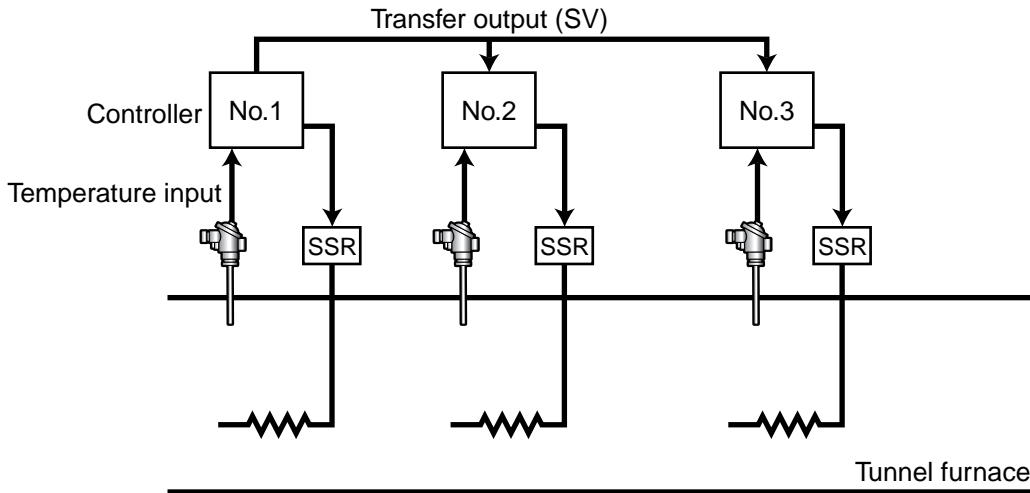
- The flow rate of chlorine fed to tap water can be controlled at a constant level.

Parameter	Description	Parameter setting by type		
		PXR	PXG	PXH
CALC	Selects an operational expression.	<input checked="" type="checkbox"/>	<input checked="" type="checkbox"/>	<input type="checkbox"/>

# 7

## Equalizing the temperature within a furnace

- The setting of controller No.1 is treated as the input setting of other controllers to equalize the temperature within a tunnel furnace.



Parameter	Description	Parameter setting by type		
		PXR	PXG	PXH
AO-T	Sets the type of transfer output.	<input type="radio"/>	<input type="radio"/>	<input type="radio"/>

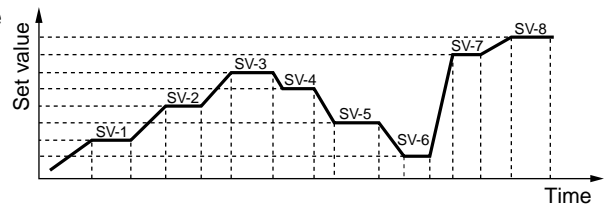
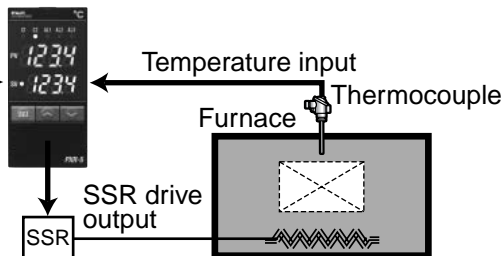
# 8

## Controlling temperature patterns

- The setting (SV) can be changed with time according to the program pattern selected beforehand.  
Ramp soak of up to 8 steps can be programmed with type PXR, and up to 16 steps with type PXG.

Digital input  
Ramp soak operation  
command

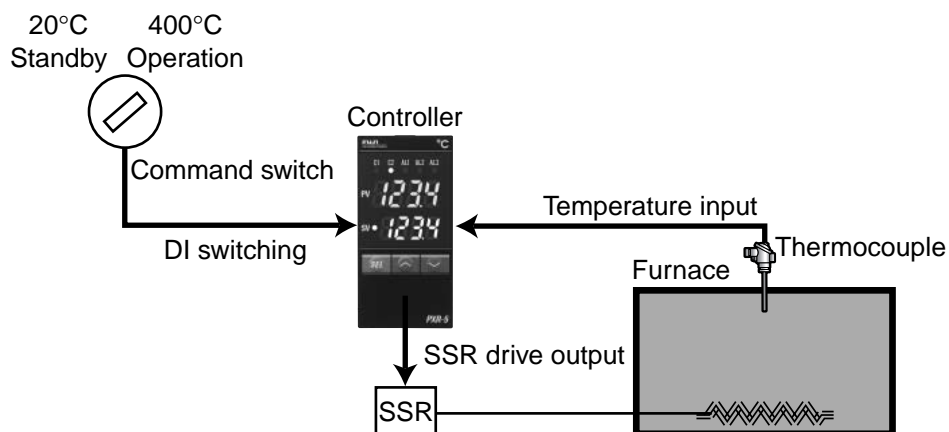
ON: Start  
OFF: Reset  
○ ○ ----->



Parameter	Description	Parameter setting by type		
		PXR	PXG	PXH
PT-N	Sets the ramp soak function.	<input type="radio"/>	<input type="radio"/>	<input checked="" type="checkbox"/>

## 9 Energy-saving operation on standby

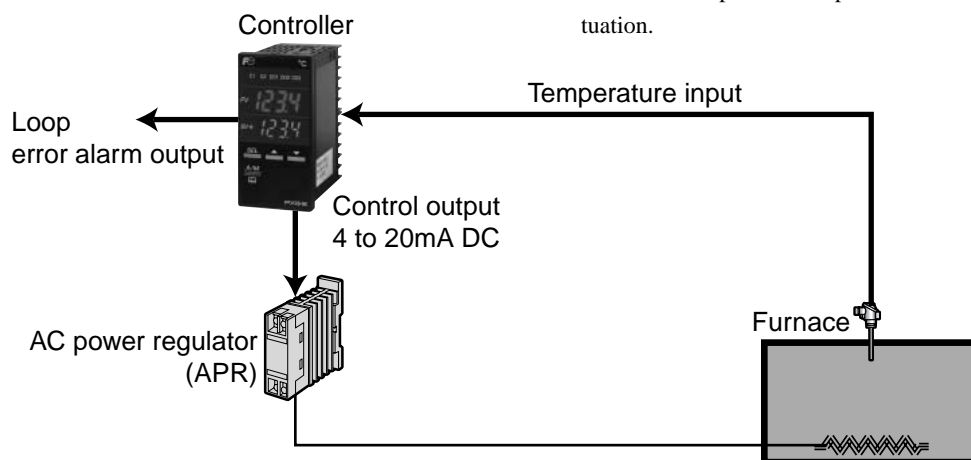
- Energy-saving operation is allowed with the setting switched between 20°C (on standby) and 400°C (during operation) with an external command switch.



Parameter	Description	Parameter setting by type		
		PXR	PXG	PXH
DI-1	Sets the operation of DI1.	<input type="radio"/>	<input type="radio"/>	<input type="radio"/>

## 10 Control loop error detection

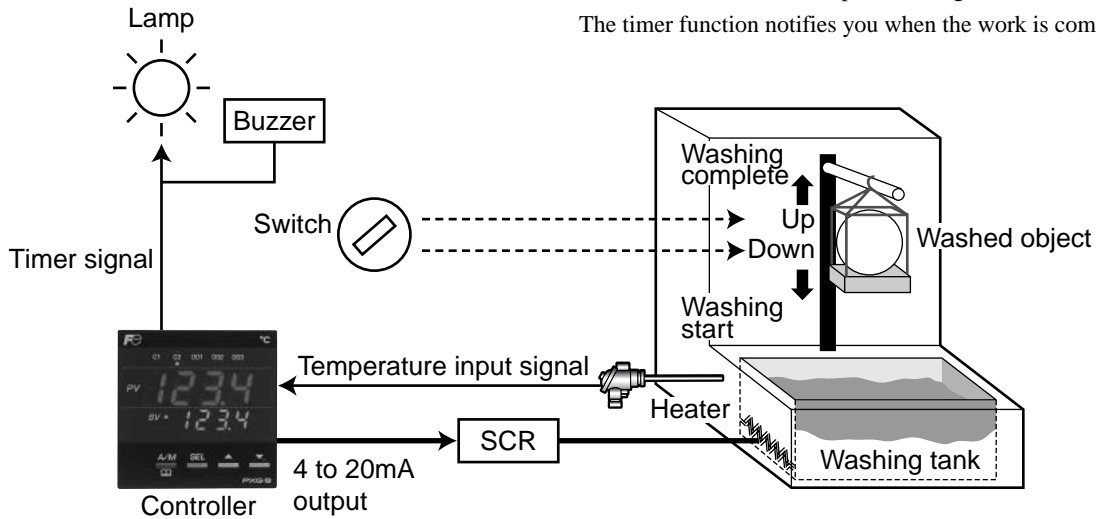
- In a loop that uses an AC power regulator (APR), judgment on issuance of a heater break alarm cannot be made by a current detector (CT). The controller type PXG detects an error of the loop based on the operation output and the width of temperature fluctuation.



Parameter	Description	Parameter setting by type		
		PXR	PXG	PXH
LBTM	Sets a loop break alarm.	×	○	×

## 11 Drying control of washers

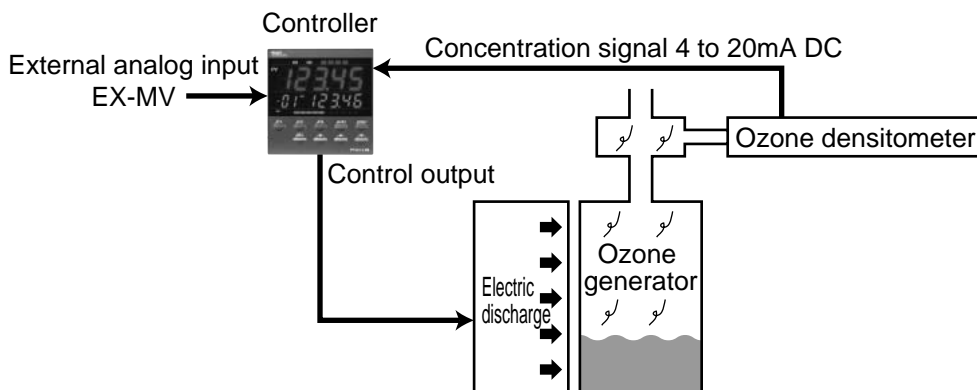
- When washing parts with water kept at constant temperature, once the washing is completed, the parts are lifted out of the washing water and then dried for a specified length of time. The timer function notifies you when the work is completed.



Parameter	Description	Parameter setting by type		
TN-1	Displays the remaining time of timer 1 operation.	PXR	PXG	PXH
		○	○	×

## 12 Controlling 90% of the setting at constant control output

- The operation output (MV) is determined based on external input until 90% of the concentration setting of an ozone generator is reached, while the concentration exceeding 90% is controlled with a controller.

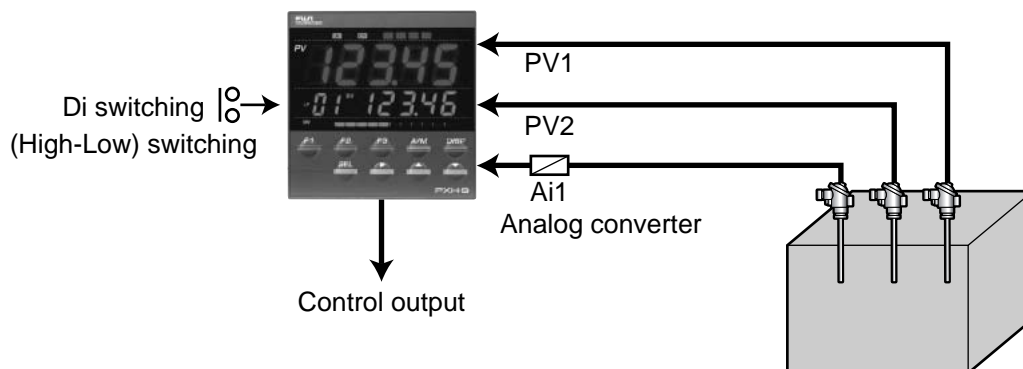


Parameter	Description	Parameter setting by type		
EXM1	Sets the external output value.	PXR	PXG	PXH
		△ (Note 1)	△ (Note 1)	○

Note 1: If the output is kept at a constant level, the standby function allows you to perform the same control.

# 13 Performing control by selecting input signals

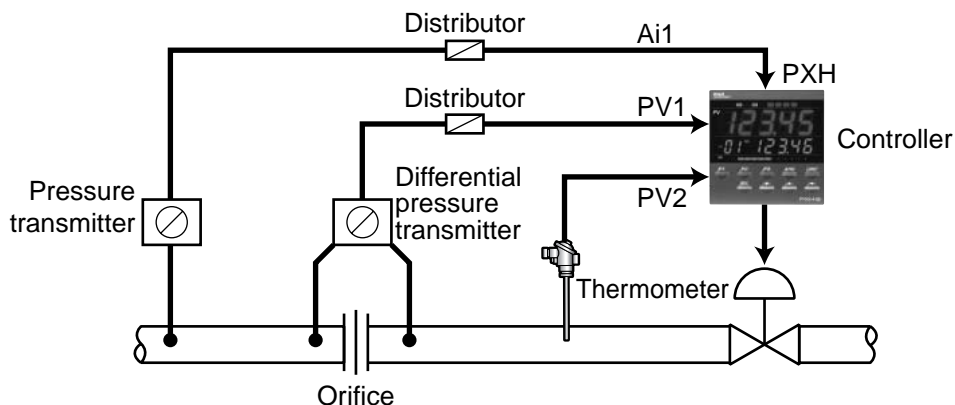
- Control can be performed by selecting the highest or lowest temperature detected by three sensors.
- Switching between high and low inputs can be made by an external event (Di).



Parameter	Description	Parameter setting by type		
		PXR	PXG	PXH
OTYP	Sets the type of control output selector.	X	X	○

# 14 Controlling the flow rate of dry gas

- The calculation function eliminates the need for an external calculation device.



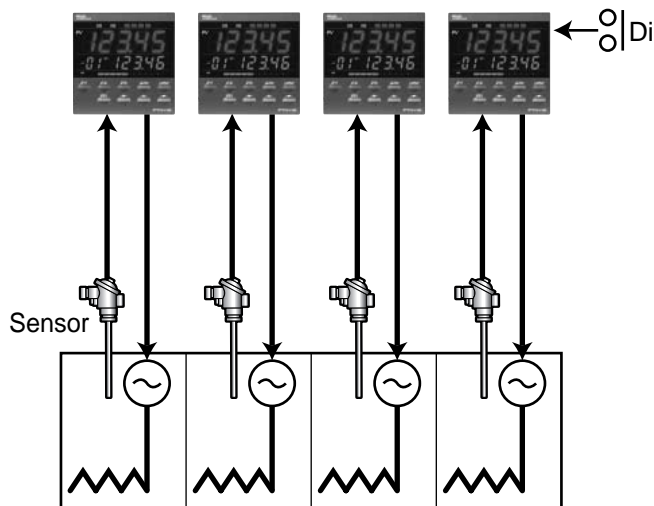
Parameter	Description	Parameter setting by type		
		PXR	PXG	PXH
K01 ∫ K16	Sets the constant to be used for calculations.	X	X	○



## 15 Stopping the output of temperature regulator (Standby setting)

- This setting is useful for stopping the output of a temperature regulator depending on production information.

Use of an external event (Di) also facilitates stopping.



Parameter	Description	Parameter setting by type		
		PXR	PXG	PXH
STBY	Switches between control and standby.	<input type="radio"/>	<input type="radio"/>	<input type="radio"/>

## 16 Switching frequently-used parameters at the touch of a key

- By assigning operations to user function keys, you do not have to call up parameters every time a parameter change is required; simply touch the corresponding key to make the necessary changes.

- Remote/auto switching
- Standby
- Alarm latch clear
- Auto tuning



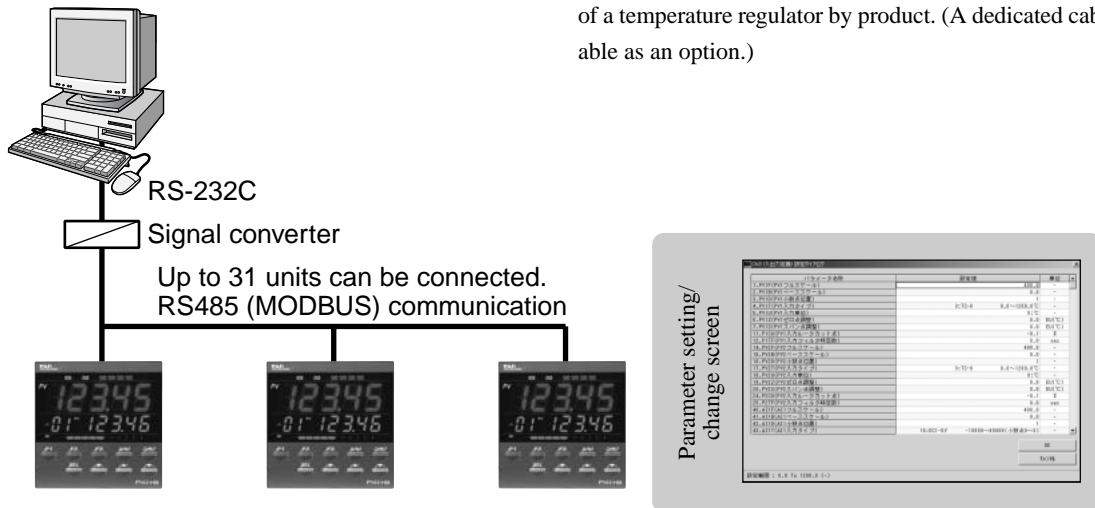
User function key

Parameter	Description	Parameter setting by type		
		PXR	PXG	PXH
—	Assigns operations to user function keys.	X	<input type="radio"/> (Note)	<input type="radio"/>

Note: In case of PXG, only one key is available for this user function

## 17 Operating the setting of a temperature regulator on your PC (PC loader software)

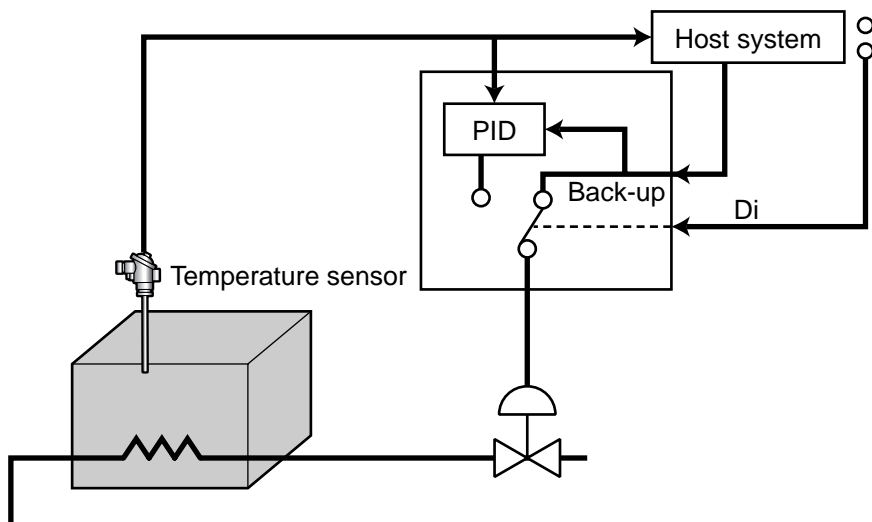
- The PC loader software supplied as standard makes it easy to upload and download parameters on your PC.
- The software is convenient to frequently change the parameters of a temperature regulator by product. (A dedicated cable is available as an option.)



Parameter	Description	Parameter setting by type		
		PXR	PXG	PXH
—	The PC loader software facilitates uploading/downloading parameters.	X	○	○

## 18 Performing backup control of host control system

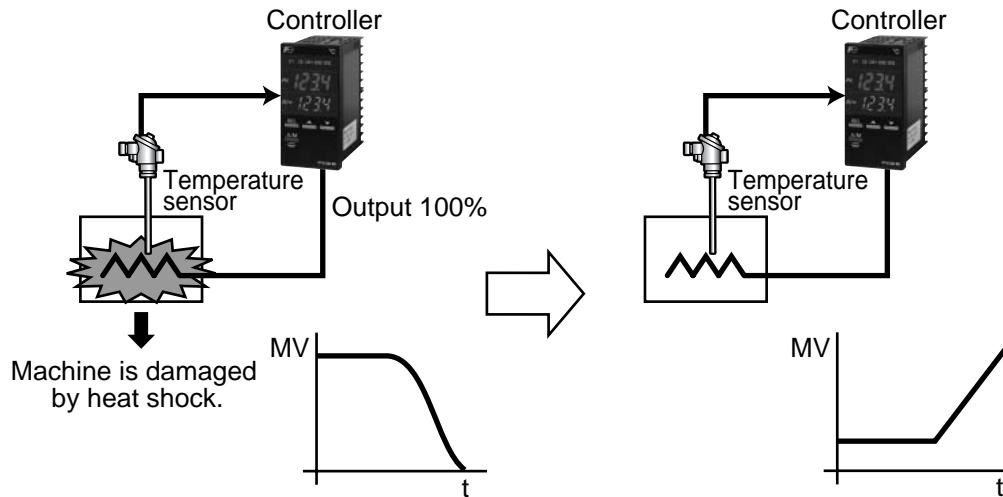
- The operation output of the host system is output without manipulation in the normal state. If the host system goes down, the regulator backs up the control.



Parameter	Description	Parameter setting by type		
		PXR	PXG	PXH
EXM1	Sets the external output value.	X	X	○

## 19 Decreasing control output at the start of temperature control

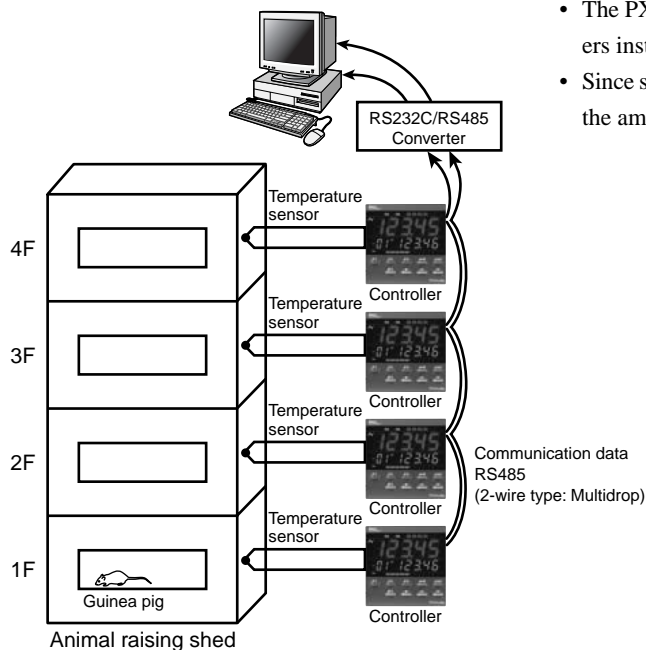
- If the output of the controller increases to 100% at the start of temperature control, the heater or the machine may be damaged by heat shock. To avoid this, the output can be controlled using the soft start function.



Parameter	Description	Parameter setting by type		
SF01		PXR	PXG	PXH
SF02	Sets the control output value for soft start.	×	○	×

## 20 Using sensor signals as communication converters

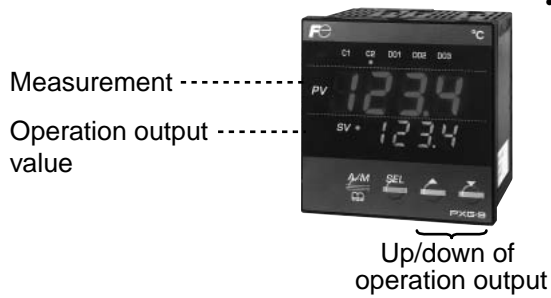
- The PX-series controllers can be used as communication converters installed at site using their communication function.
- Since sensor signals are converted into communication data at site, the amount of wiring and labor required can be reduced.



Parameter	Description	Parameter setting by type		
—	Specifies the type of communication functions.	PXR	PXG	PXH
		○	○	○

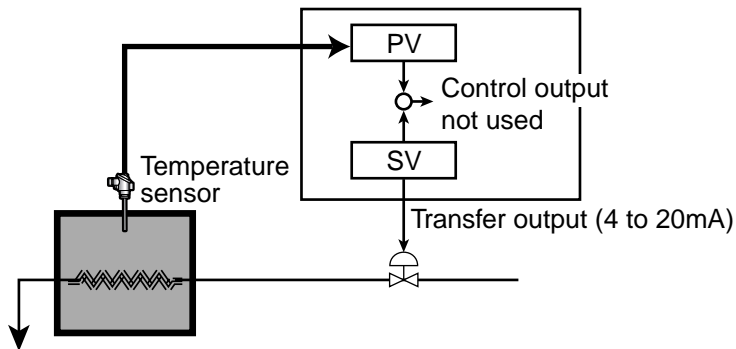
# 21

## Using a temperature controller as an operating device



• The PX-series controllers can be used as manual operating devices using transfer output (4 to 20mA DC).

- (1) Specify "SV" as the transfer output type and connect transfer output signals to the operation terminal.
- (2) The operation output appears at the bottom of the front panel, and operation can be made using the   keys at any time.



Parameter	Description	Parameter setting by type		
		PXR	PXG	PXH
AO-T	Sets the type of transfer output.	<input type="radio"/>	<input type="radio"/>	<input type="radio"/>

# II. Parameter Functions

## 1 Alarm

An alarm is output with measurements (temperature signals) compared with the value specified beforehand.

Various alarm operations can be selected according to applications.

	Alarm type	Operation chart
Absolute value alarm	Upper limit absolute	
	Lower limit absolute	
	Upper limit absolute (with hold)	
	Lower limit absolute (with hold)	
Deviation alarm	Upper limit deviation	
	Lower limit deviation	
	Upper/lower limit deviation	
	Upper limit deviation (with hold)	
	Lower limit deviation (with hold)	
	Upper/lower limit deviation (with hold)	
Range alarm	Range upper/lower limit deviation (Independent ALM1/2 operations)	
	Range upper/lower limit absolute	
	Range upper/lower limit deviation	
	Range upper limit absolute lower limit deviation	
	Range upper limit deviation lower limit absolute	

### (1) Absolute value alarm

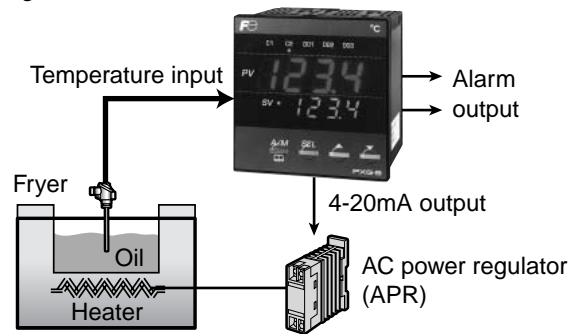
An alarm is issued when the measurement reaches the alarm set value irrespective of the setting (SV) of the temperature regulator.

### (2) Deviation alarm

An alarm is issued based on the deviation from the setting (SV) of the temperature regulator.

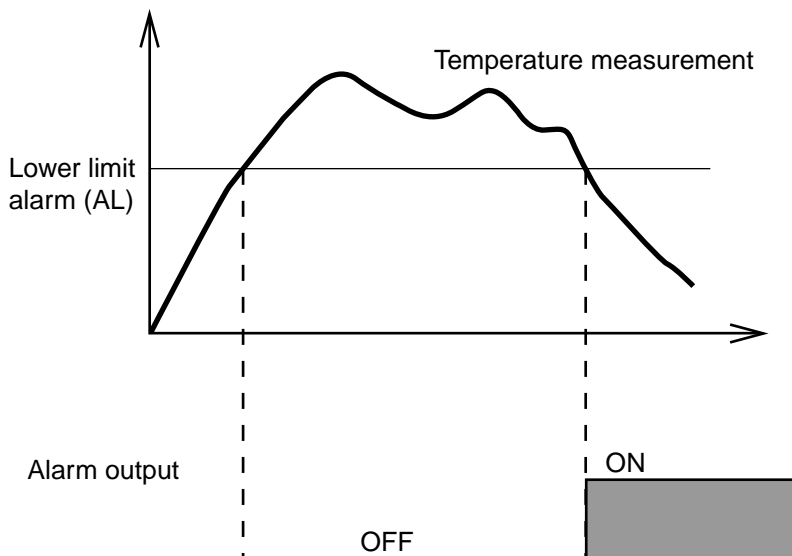
### (3) Range alarm

An alarm is issued when the temperature is kept between alarm settings.



Parameter	Description	Parameter setting by type		
AL1	Sets the alarm type and the alarm settings.	PXR	PXG	PXH
AL2		<input type="radio"/>	<input type="radio"/>	<input type="radio"/>

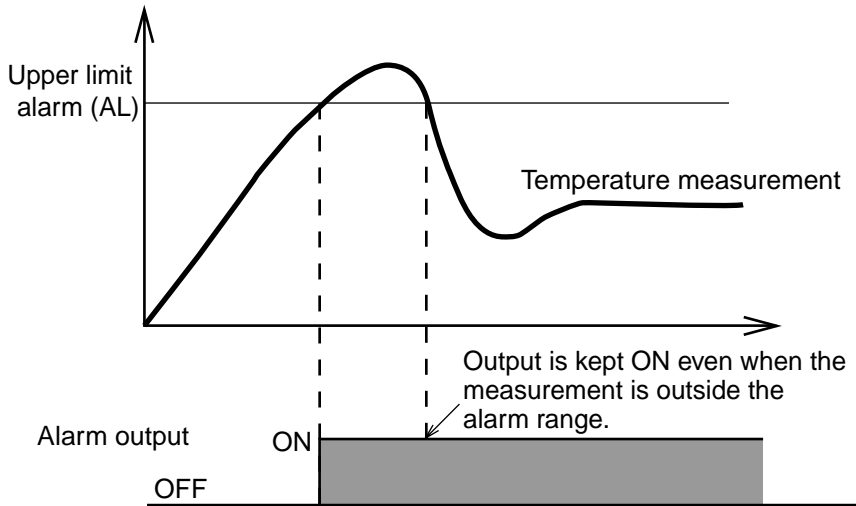
## 2 Alarm hold



The temperature may fall within the alarm range from the beginning, such as when temperature control is started. In such cases, an alarm is issued at first under normal alarm operations. To avoid this, "with hold" can be selected. Then, after the power is turned on or the control is started, whether the temperature is outside the alarm range is checked, and then alarm detection is started.

Parameter	Description	Parameter setting by type		
AL1	Sets "with hold" for alarm type.	PXR	PXG	PXH
AL2		<input type="radio"/>	<input type="radio"/>	<input type="radio"/>

### 3 Alarm latch

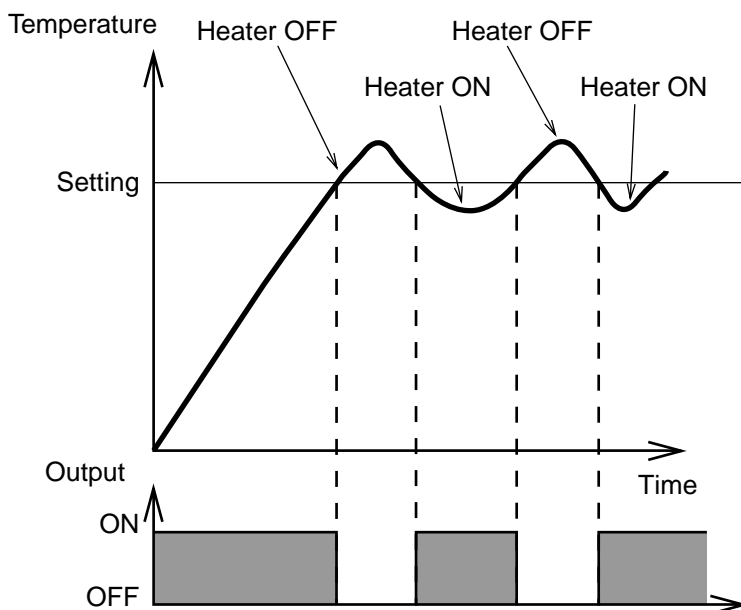


Once temperature measurement departs from the alarm range, the alarm output is set to OFF. To prevent this from occurring, the alarm latch function holds the output to ON even when the measurement does not fall within the alarm range. After checking the alarm, the operator can reset the alarm latch using one of the following methods:

- Turning on the power of the temperature regulator again
- Setting the alarm latch parameter to OFF
- Resetting the alarm latch on the alarm latch reset screen
- Resetting the alarm latch using Di input
- Resetting the alarm latch using communication

Parameter	Description	Parameter setting by type		
		PXR	PXG	PXH
—	Sets the alarm latch function to latch alarms.	<input type="radio"/>	<input type="radio"/>	<input type="radio"/>

### 4 Two-position control (ON-OFF control)



Two-position control (ON-OFF control) can be used to perform simple temperature control.

When the measurement is smaller than the SV setting → The output is set to ON.

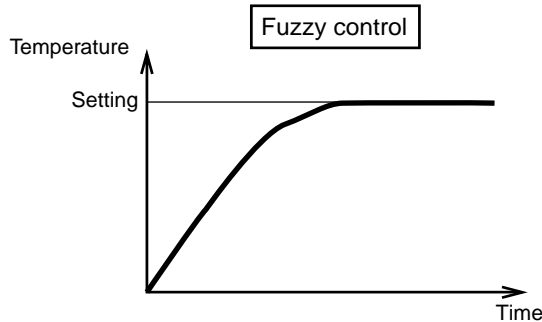
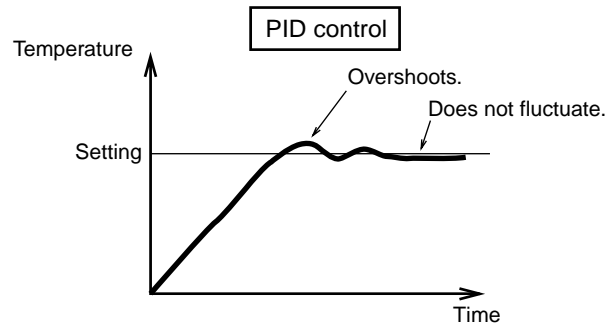
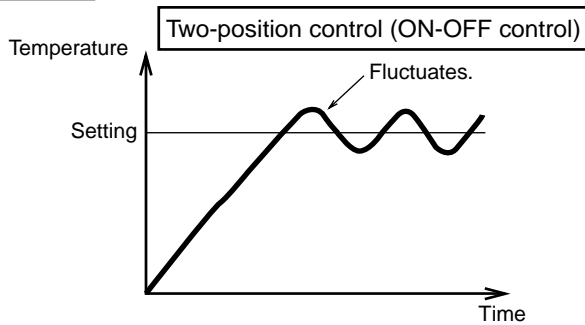
When the measurement is larger than the SV setting → The output is set to OFF.

The heater is kept on until the set temperature is reached. Once the setting is reached, the switch is turned off. The switch is turned on again when the temperature decreases to a certain level.

Set the proportional band to 0.0 to use the two-position control (ON-OFF control).

Parameter	Description	Parameter setting by type		
		PXR	PXG	PXH
P	Set the proportional band (P) to 0.9 to perform ON-OFF control (two-position control).	<input type="radio"/>	<input type="radio"/>	<input type="radio"/>
HYS		<input type="radio"/>	<input type="radio"/>	<input type="radio"/>

## 5 PID, fuzzy control



- Although two-position control (ON-OFF control) is convenient for simple temperature control, the control results may fluctuate.
- To improve controllability and eliminate fluctuations, use PID control. Note that overshoot is generated when the temperature increases.
- Use fuzzy control to prevent overshoot.

Parameter	Description	Parameter setting by type		
		PXR	PXG	PXH
CTrL	Selects a control method.	<input type="radio"/>	<input type="radio"/>	<input type="radio"/> (Note)

Note: Not provided with fuzzy control.

## 6 Auto tuning and self tuning

AT

Use auto tuning to find optimum parameters, but it will take a little longer to obtain the results.



CTrI  
 SELF

Select SELF, and the parameters can be automatically found. It's simple, but the controllability is slightly worse than with auto tuning.



To perform PID control for improving controllability, optimum PID parameters should be selected. Auto tuning and self tuning functions can be used to find the optimum PID parameters.

### Features and notes on auto tuning

- PID parameters optimum to the process can be found.
- Since ON-OFF operation is performed while auto tuning is in progress, the PV may fluctuate significantly depending on the process. Do not use the auto tuning function for a process in which significant PV fluctuations are not allowed.
- It may take several minutes to several hours to find the optimum PID parameters (the time required depends on the process).

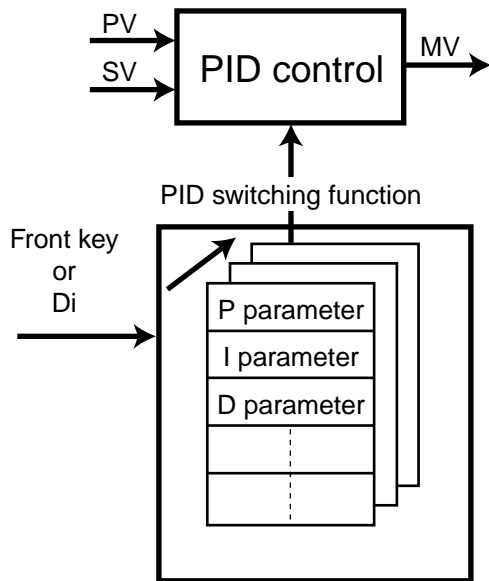
### Features and notes on self tuning

- Specify self tuning, and PID parameters can be automatically found during control.
- The result of control with PID parameters determined automatically by self tuning is slightly worse than the result with PID parameters determined by auto tuning.

Parameter	Description	Parameter setting by type		
		PXR	PXG	PXH
AT	Finds optimum PID parameters by auto tuning or self tuning.	<input type="radio"/>	<input type="radio"/>	<input type="radio"/>
SELF		<input type="radio"/>	<input type="radio"/>	<input type="radio"/>

# 7

## Switching PID



When manufacturing various products with only one machine, optimum PID parameters may vary depending on the products to be manufactured. In such cases, use the PID switching function. This function allows you to use sets of PID parameters specified beforehand, which can then be switched using the keys on the front panel or using Di.

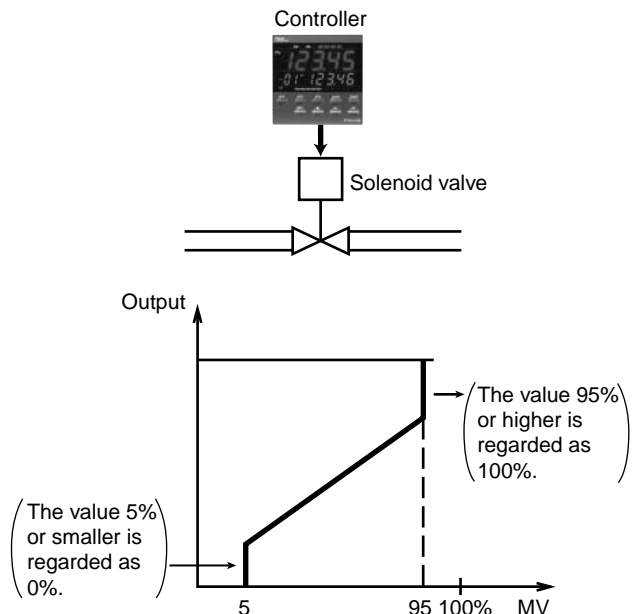
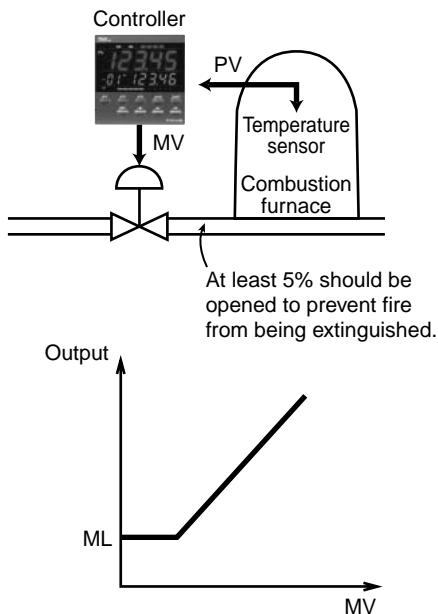
It's convenient in the following cases:

- Performing control with optimum parameters for each SV when the machine is used with SV switched
- Performing control with optimum parameters for each product when controllability varies depending on the item to be manufactured
- Performing control with optimum parameters when characteristics of the operation unit differ depending on the process to be controlled, such as heating and cooling processes

Parameter	Description	Parameter setting by type		
		PXR	PXG	PXH
—	Sets the palette PID.	X	○	○

# 8

## MV limit



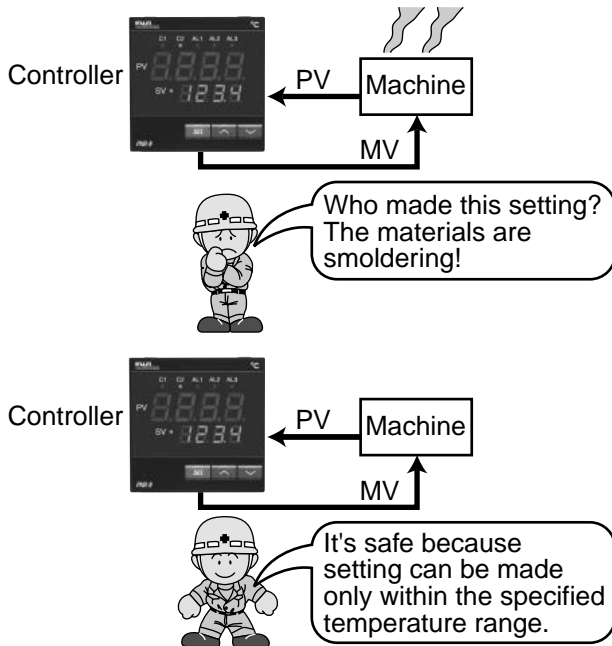
In some cases such as incineration control, MV should not be decreased to less than a certain level. Use ML (limit) of MV limit in such cases to prevent MV from decreasing to less than ML.

When solenoid valves are used, setting may be necessary to disable reaction when the MV value becomes less than a certain level. Use MV limit MH and ML (scale off) in such cases.

Parameter	Description	Parameter setting by type		
		PXR	PXG	PXH
MH, ML	Sets the limit value of operation output (MV).	○	○	○



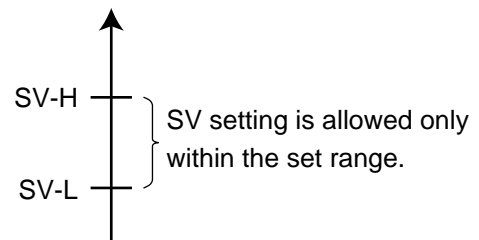
## 9 SV limiter



You may not want to set the temperature exceeding a certain level.

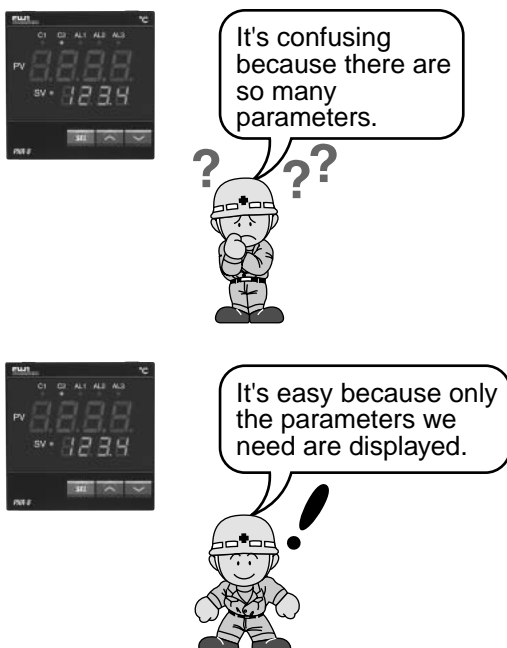


In such cases, you can use SV lower limiter setting and SV upper limiter setting to control the range in which SV can be set.



Parameter	Description	Parameter setting by type		
		PXR	PXG	PXH
SV-L	Sets the upper and lower limiter settings to determine the range in which SV can be set.	<input type="radio"/>	<input type="radio"/>	<input type="radio"/>
SV-H		<input type="radio"/>	<input type="radio"/>	<input type="radio"/>

## 10 Parameter mask



Although a temperature regulator has many parameters, relatively few parameters are used in most actual applications.



Use the display mask function to mask the parameters that are not to be used.

### Advantages

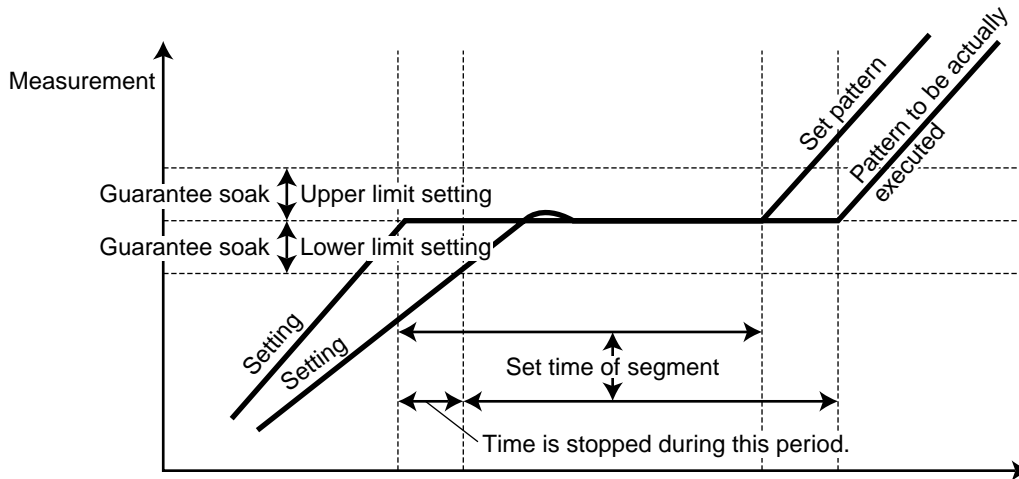
- Operation is easier because only those parameters to be changed are displayed.
- Prevents parameters from being modified by mistake.

Parameter	Description	Parameter setting by type		
		PXR	PXG	PXH
dSP	Sets display/nondisplay of each parameter.	<input type="radio"/>	<input type="radio"/>	<input type="radio"/>

# 11

## Guarantee soak

When PV does not reach SV during ramp soak operation, the progress of SV can be made to be on standby.

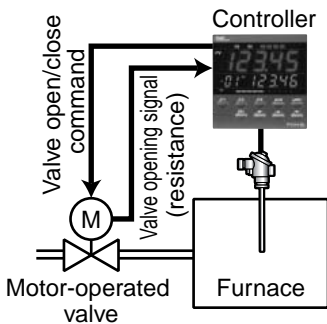


Parameter	Description	Parameter setting by type		
		PXR	PXG	PXH
GSOK	Sets ON/OFF, upper limit, and lower limit of guarantee soak.			
GS-L		×	○	×
GS-H		×	○	×

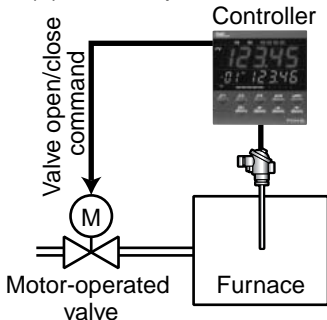
# 12

## Motor-operated valve control

(1) With position feedback Controller



(2) Without position feedback Controller



Select a motor-operated valve control type from "with" and "without" position feedback when using a motor-operated valve.

Select a desired size from our broad lineup, from 48mm  to 96mm .

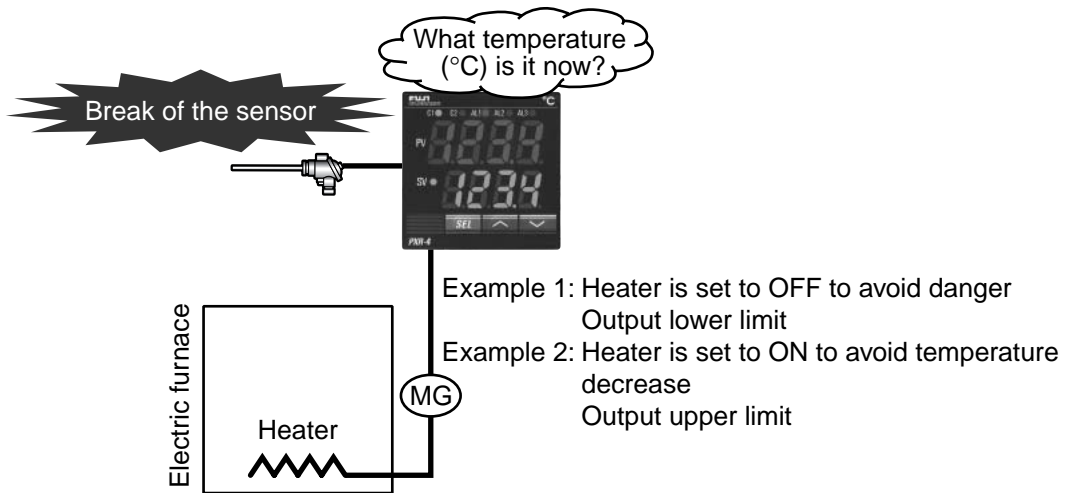
	Advantage	Disadvantage
With position feedback	<ul style="list-style-type: none"> <li>Since the actual valve opening is read, a motor-operated valve with characteristic distortion does not pose major problems. The motor-operated valve requires a feedback resistor.</li> </ul>	The motor-operated valve requires a feedback resistor. → Increased cost, and troubles could occur due to a faulty feedback resistor
Without position feedback	<ul style="list-style-type: none"> <li>The motor-operated valve does not require a feedback resistor.                              → Decreased cost, and troubles due to a faulty feedback resistor are avoided</li> <li>Lower opening frequency of the motor-operated valve</li> <li>Decreased cost of controller</li> </ul>	Not suitable for motor-operated valves with significant valve characteristic distortion because the actual valve opening is not used for control calculation.

Parameter	Description	Parameter setting by type		
		PXR	PXG	PXH
—	Sets the type of motor-operated valve control.	×	○ (Note)	○

Note: Position feedback is not allowed with the 48×48mm type.

# 13 Control operation and burnout direction

A break of a sensor disables the function of the controller. ON (100%) or OFF (0%) can be selected as the control output of the controller in such cases.



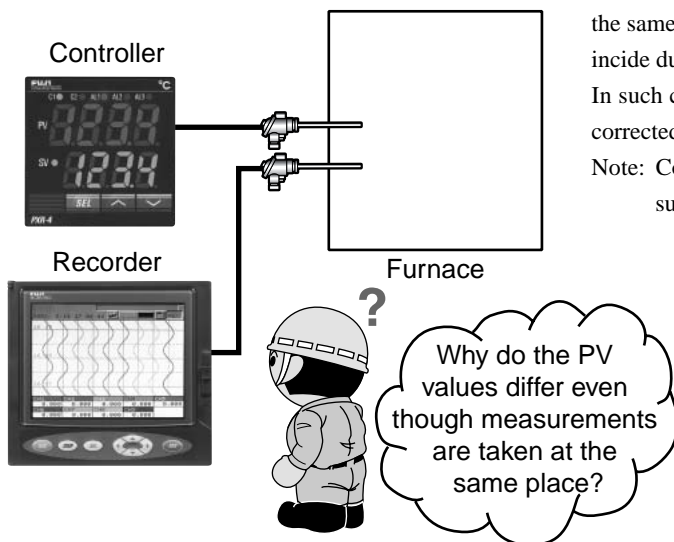
Parameter	Description	Parameter setting by type		
		PXR	PXG	PXH
P-n1	Sets the control operation and the burnout direction.	<input type="radio"/>	<input type="radio"/>	<input type="radio"/>

# 14 User adjustment and PV shift

Even when a temperature regulator is operating with a recorder at the same place, the PV value displayed on each device may not coincide due to a sensor error, etc.

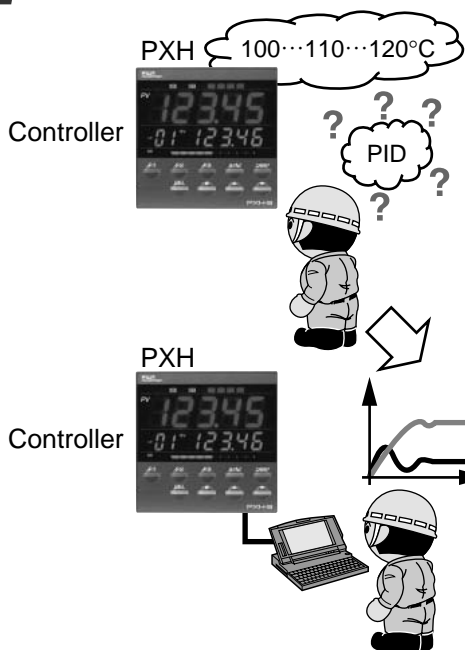
In such cases, the difference of PV values (measurements) can be corrected.

Note: Control is performed with the PV value displayed (PV measurement with PV shift value added).



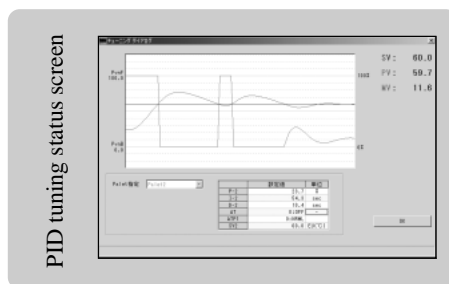
Parameter	Description	Parameter setting by type		
		PXR	PXG	PXH
PVOF ADJO	Sets PV (measurement) shift and user adjustment value.	<input type="radio"/>	<input type="radio"/>	<input type="radio"/>

# 15 PID tuning status check (loader)



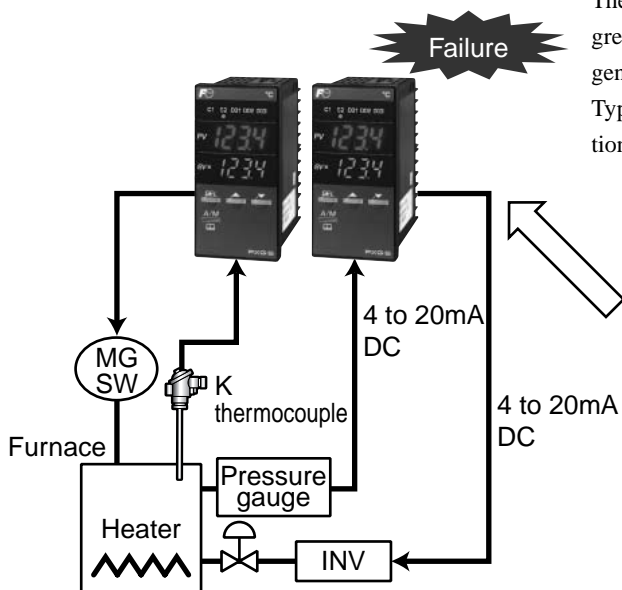
More accurate results can be obtained more quickly if PID tuning is performed while PV trend is checked.

Check the trend of measurement (PV), setting (SV), and the operation output (MV) on the "PID tuning status screen" of the loader to facilitate PID setting.



Parameter	Description	Parameter setting by type		
		PXR	PXG	PXH
—	Use the supplied PC loader software to view the PID tuning status on your PC.	×	×	○

# 16 Universal input



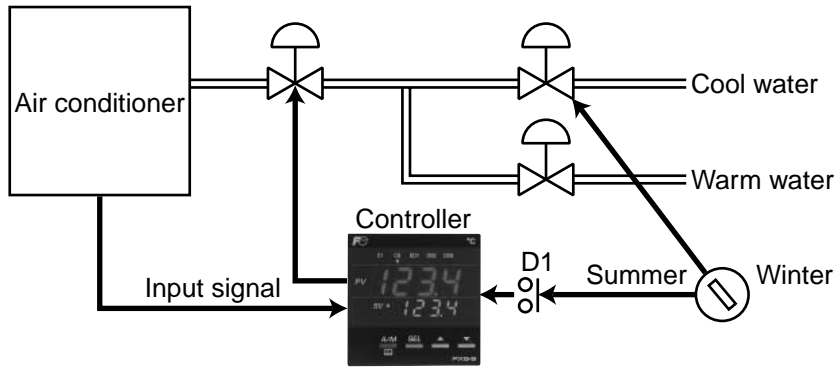
The input specifications of the controllers used at various sites vary greatly. Keep a universal input type controller to cope with emergencies.

Type PXH is even more convenient because the output specifications can be switched between contact output and current output.

Parameter	Description	Parameter setting by type		
		PXR	PXG	PXH
—	Specify PXG or PXH.	×	○	○

# 17 Switching between forward and reverse operations

Air conditioning control is performed in forward operation in summer and in reverse operation in winter. The operations can be switched with digital input.



Parameter	Description	Parameter setting by type		
		PXR	PXG	PXH
DI-1	Sets the function to DI-1.	X	○	X

## Digital Controller Function List

		Type	PXH	PXG	PXR
<b>Front panel dimensions</b>		96 × 96mm	●	●	●
		48 × 96mm	—	●	●
		72 × 72mm	—	—	●
		48 × 48mm	—	● (Note 1)	●
		24 × 48mm	—	—	●
<b>Number of displayed digits</b>			5 digits	4 digits	4 digits
<b>Input accuracy</b>			0.1%	0.3%	0.5%
<b>Calculation intervals</b>			50mS	200mS (Note 7)	500mS
<b>Input signal</b>		Measurement input	● (Universal)	● (Universal)	●
	<b>Optional device (Note 2)</b>	Remote input	●	●	● (Select either one.)
		Heater current detection input	—	●	
		Valve opening input	●	● (PXG5/9 only)	—
		Digital input	Up to 9 points	Up to 5 points (PXG5/9) Up to 3 points (PXG4)	Up to 2 points
<b>Output signal</b>		Control output	Relay contact output SSR/SSC drive output Current output Motor-operated valve operation output	Relay contact output SSR/SSC drive output Voltage output Current output (Note 3) Motor-operated valve operation output (Note 4)	Relay contact output SSR/SSC drive output Current output (Note 3)
	<b>Optional device</b>	Transfer output	4-20mA DC: 2 points (With transmitter power supply: 1 point)	4-20mA DC or 0-10V DC: 1 point (Selection not allowed for motor-operated valve output and dual output.)	4-20mA DC: 1 point (Selection not allowed for dual output.)
		Alarm/event output	Up to 9 points	Up to 5 points (PXG5/9) Up to 3 points (PXG4) (Note 5)	Up to 3 points (PXR5/9) Up to 3 points (PXR4/7) (Note 6)
<b>Control method</b>		ON-OFF control	●	●	●
		PID control	●	●	●
		Remote control	●	●	●
		Control output tracking (EX-MV)	●	—	—
		Motor-operated valve control	●	●	—
		Heating/cooling control	●	●	●
		Auto tuning PID	●	●	●
		Fuzzy control	—	●	●
		Self tuning	—	●	●
<b>Function</b>		Ramp soak function	—	16 steps	8 steps (Option)
		Number of PID combinations	8 points	8 points	—
		SV switching	8 points	8 points	Up to 4 points (Option)
		Manual operation	●	●	—
		Key for user assignment	3 keys	1 key	—
<b>Communication</b>		RS485 (MODBUS)	● (38.4Kbps)	● (19.2Kbps)	● (9.6Kbps)
		T-LINK	● (500Kbps)	—	—

Note 1: Options that can be selected for the panel size 48 × 48mm are limited compared to the panels of other dimensions.

Note 2: The valve opening input can be selected only when motor-operated valve operation output is selected as the control output. The heater current detection input can be selected when relay contact output or SSR/SSC drive output is selected as the control output. "Without DO" cannot be selected. The maximum number of digital input points varies depending on the combination with other optional functions.

Note 3: If current output is selected, heater current detection input or transfer output cannot be selected.

Note 4: If motor-operated valve operation output is selected, heater current detection input cannot be selected.

Note 5: Up to 2 points for the type with heating/cooling control, motor-operated valve operation output (PXG), heater break alarm function, or transfer output function.

Note 6: Up to 2 points for the type with heating/cooling control, heater break alarm function, or transfer output function. The ambient temperature should be 40°C or lower.

Note 7: Position feedback type: 300ms.

---

## **Fuji Electric Systems Co., Ltd.**

### **Head Office**

Gate City Ohsaki, East Tower,  
11-2, Osaki 1-chome, Shinagawa-ku, Tokyo 141-0032, Japan  
<http://www.fesys.co.jp/eng>

### **Instrumentation Div.**

#### **International Sales Dept.**

No.1 , Fuji-machi, Hino-city, Tokyo,191-8502 Japan  
Phone : 81-42-585-6201,6202  
Fax : 81-42-585-6187  
<http://www.fic-net.jp/eng>